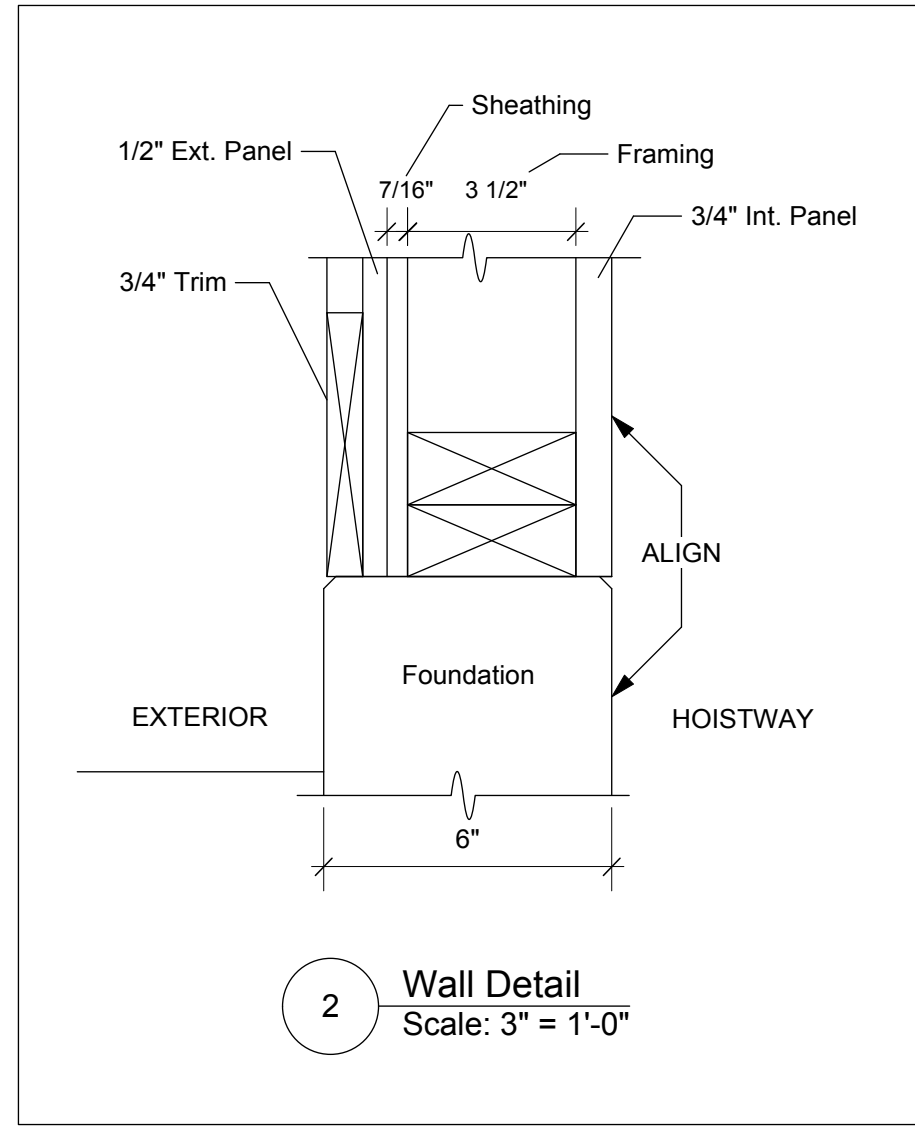


- NOTES:  
 1. Adjust landings elevations for site conditions.  
 2. Coordinate with Lift Vendor prior to Savara order.

1 Sitework



2 Wall Detail  
 Scale: 3" = 1'-0"